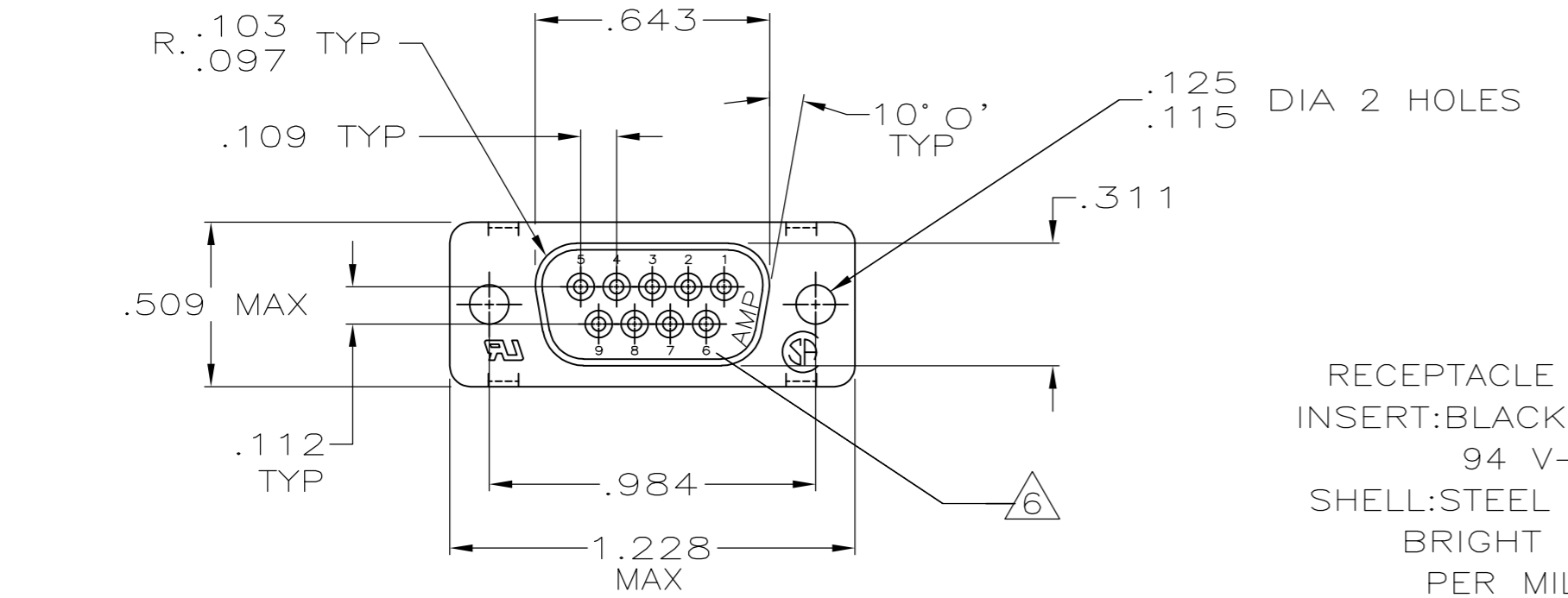
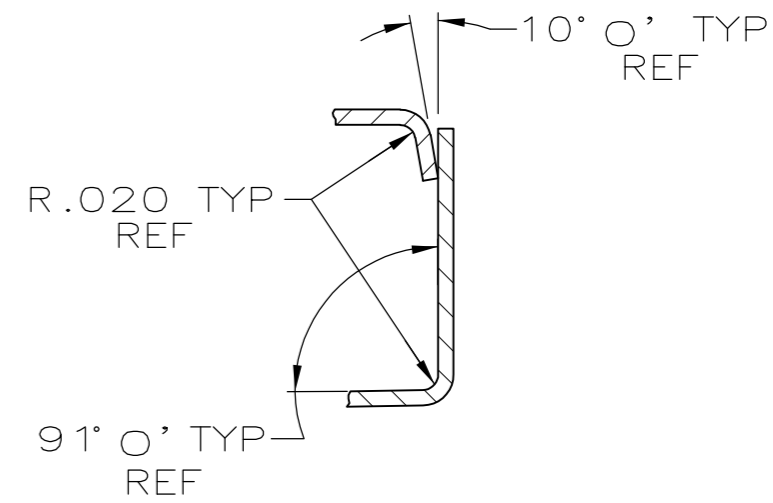


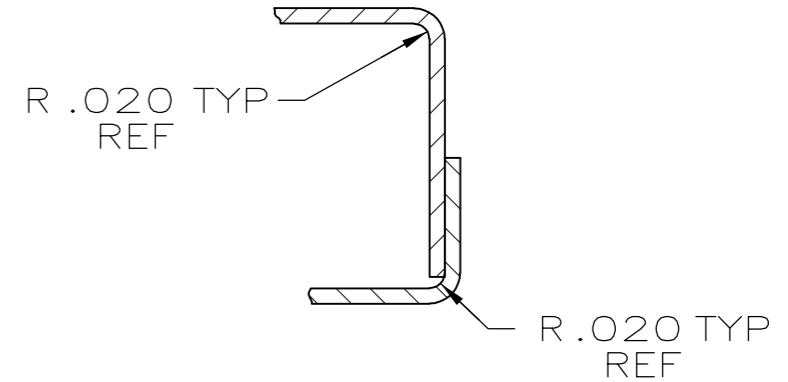
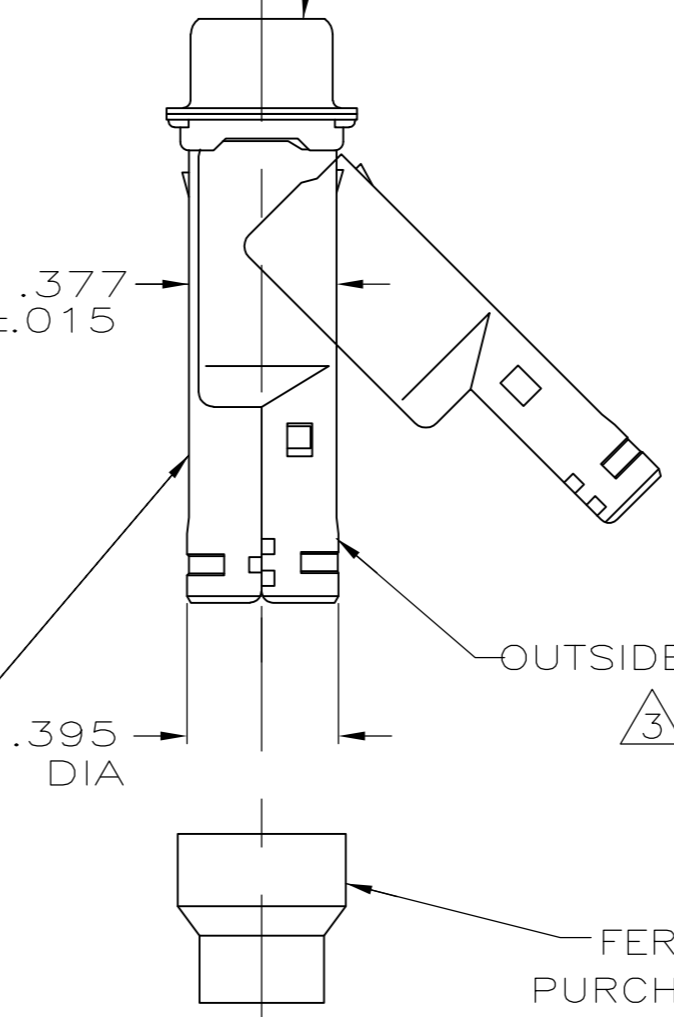
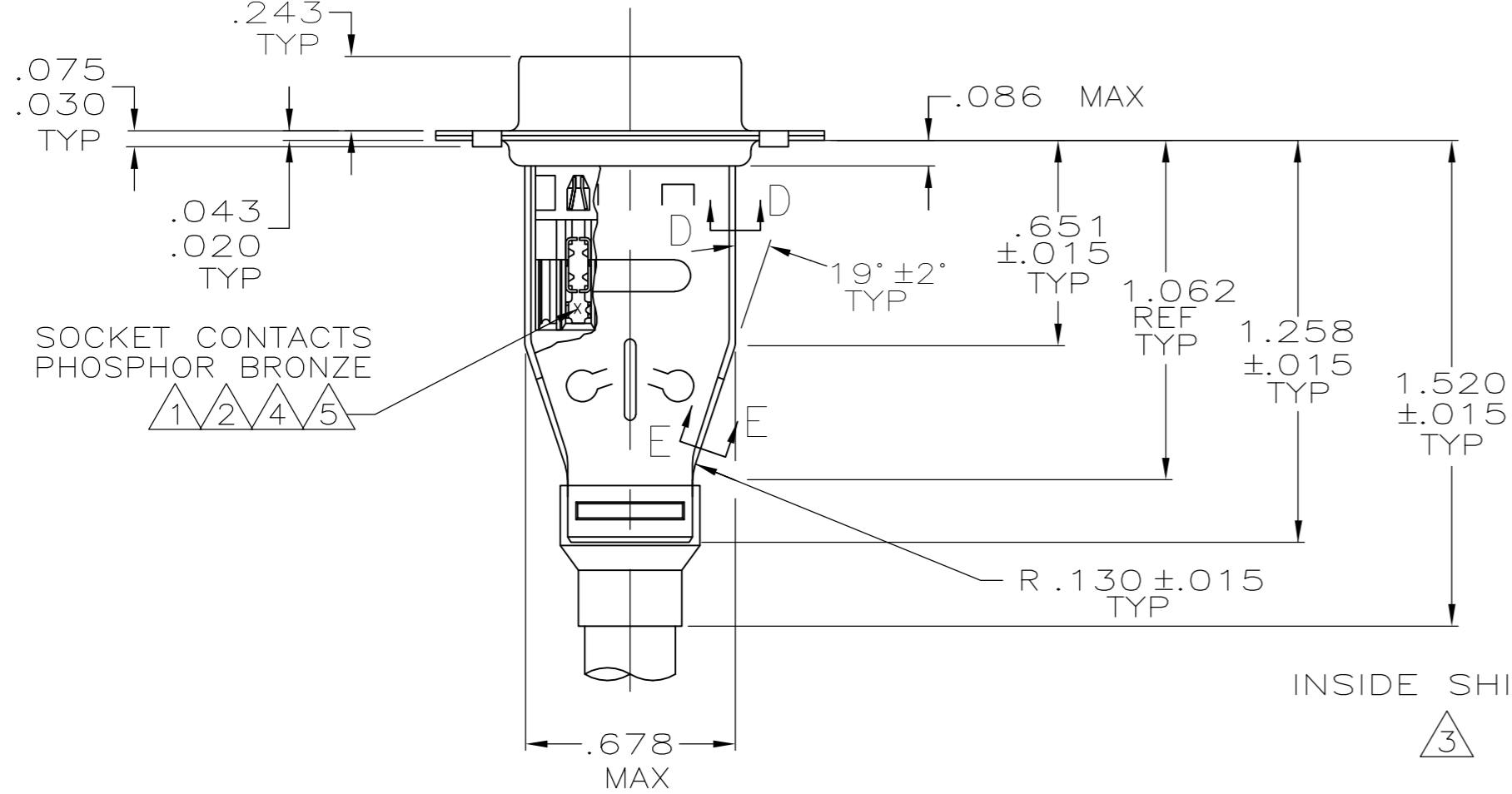
LOC	DIST	REVISIONS					
		P	LTR	DESCRIPTION	DATE	DWN	APVD
GP	00	G5		REVISED PER ECO-11-004835	11MAR11	RK	HMR



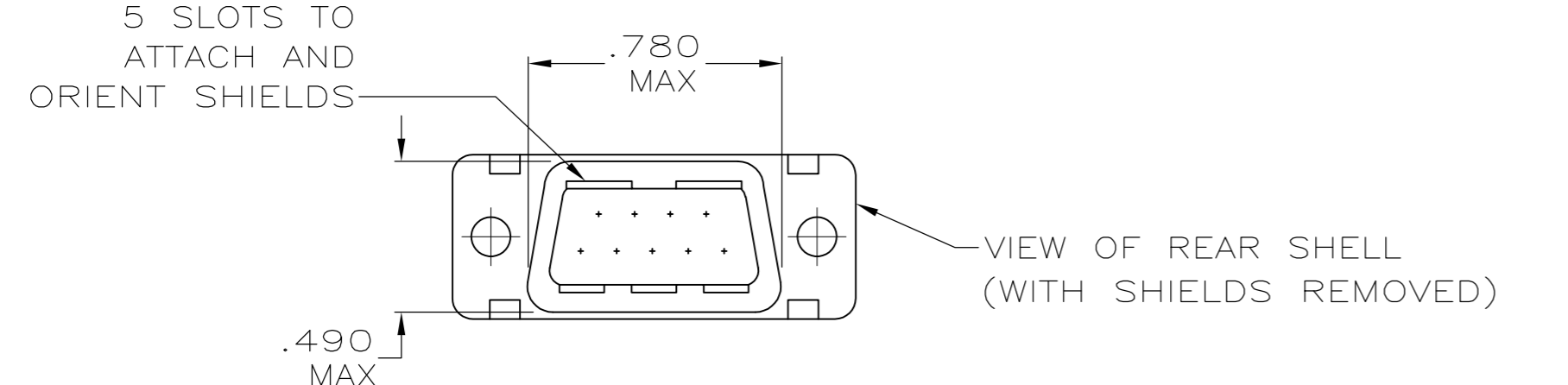
RECEPTACLE CONNECTOR ①  
 INSERT:BLACK THERMOPLASTIC  
 94 V-0 RATED  
 SHELL:STEEL PER ASTM A109  
 BRIGHT TIN PLATED  
 PER MIL-T-10727



SECTION D-D



SECTION E-E



- ① RECEPTACLE CONNECTOR FULLY LOADED WITH CONTACTS. ALL OTHER PARTS SHIPPED UNASSEMBLED (EACH PART INDIVIDUALLY BULK PACKED).
- ② NUMBER ON CONTACT INDICATES WIRE RANGE.
- ③ SHIELDS: MATERIAL-.020 THICK STEEL, TIN PLATED.
- ④ CONTACTS PLATED .000030 GOLD ON MATING END FOR .100 MIN LENGTH. .000100-.000200 BRIGHT TIN OR BRIGHT TIN-LEAD IN WIRE TERMINATION AREA. .000050 NICKEL UNDERPLATE ON ENTIRE CONTACT.
- ⑤ CONTACTS PLATED WITH GOLD FLASH ON MATING END FOR .100 MIN LENGTH. .000100-.000200 BRIGHT TIN OR BRIGHT TIN-LEAD IN WIRE TERMINATION AREA. .000030 NICKEL UNDERPLATE ON ENTIRE CONTACT.
- ⑥ RAISED CAVITY IDENTIFICATION AND AMP TRADEMARK.
- ⑦ CONTACTS PLATED .000030 GOLD ON MATING END FOR .100 MIN LENGTH. .000100-.000200 MATTE TIN IN WIRE TERMINATION AREA. .000050 NICKEL UNDERPLATE ON ENTIRE CONTACT.
- ⑧ CONTACTS PLATED WITH GOLD FLASH ON MATING END FOR .100 MIN LENGTH. .000100-.000200 MATTE TIN IN WIRE TERMINATION AREA. .000030 MIN NICKEL UNDERPLATE ON ENTIRE CONTACT.
- ⑨ OBSOLETE PARTS: OBSOLETE CIS STREAMLINING PER D.RENAUD/D.SINISI

⑧	2	#22-26	747516-9
⑨ OBSOLETE	⑦	3	#20-22
	⑦	2	#22-26
OBSOLETE	⑤	3	#20-22
SUPERSEDED	⑤	2	#22-26
OBSOLETE	④	1	#26-30
SUPERSEDED	④	3	#20-22
SUPERSEDED	④	2	#22-26
	④	1	#26-30
CONTACT FINISH		②	WIRE RANGE
			PART NUMBER

SUPERSEDED BY 747943-1

THIS DRAWING IS A CONTROLLED DOCUMENT.

DIMENSIONS: INCHES	TOLERANCES UNLESS OTHERWISE SPECIFIED: 0 PLC ± - 1 PLC ± - 2 PLC ± - 3 PLC ± .005 4 PLC ± - ANGLES ± 0° 30'	DWN L. VARELA - DOCK5 11-16-04 CHK J. GERACE 11-16-04 APVD M. WALMSLEY 11-16-04	NAME TE Connectivity
MATERIAL SEE CALL OUT	FINISH SEE CALL OUT	PRODUCT SPEC 108-40030 APPLICATION SPEC 114-40002	SIZE A2 CAGE CODE 00779 DRAWING NO. C=747516
CUSTOMER DRAWING		WEIGHT -	RESTRICTED TO -
		SCALE 2:1	SHEET 1 of 1 REV G5